

LED high bay light

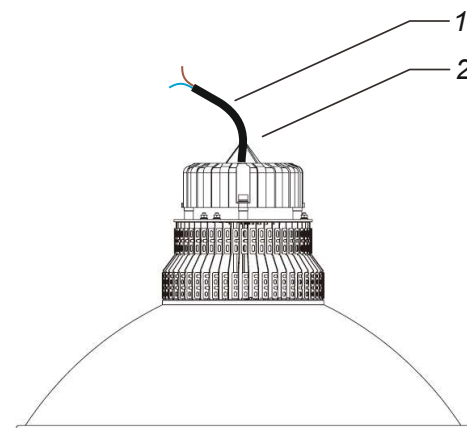
AML® HBB series

Unit description/Scope of delivery

- (1) Mains cable
- (2) Fastening eyelet

Safety instructions

- August Müller Lichttechnik AG accepts no liability for damage or consequential damage caused by failure to observe these instructions or by improper assembly, installation or handling of the luminaire.
- Disconnect the power supply before working on the lamp.
- The installation of this luminaire involves work on the mains voltage; it must therefore be carried out professionally in accordance with the country-specific installation regulations and connection conditions.
- Do not look into the luminaire from a short distance or for a longer period of time (> 5 min.). This may cause damage to the retina.



Care and cleaning

- The luminaire should be subjected to a rough cleaning at least once a year to ensure proper cooling. If the luminaire is heavily soiled, the light output may be reduced or the luminaire may even fail completely.
- Any dirt, dust or bird droppings that are lying on or sticking to the unit must be removed by brushing, vacuuming or blowing off. The light exit opening can be cleaned with a slightly damp cloth (without detergent).

Warranty

August Müller Lichttechnik guarantees perfect condition and function. The warranty period is 3 years and begins on the day of sale. We will remedy defects which are based on material or manufacturing faults, the warranty service will be provided by repair or replacement of defective parts at our discretion. No warranty service is provided for damage caused by improper handling or maintenance. The guarantee is only granted if the undismantled unit is sent to the appropriate service station, well packaged, with a brief description of the fault, receipt or invoice.

Assembly

Attach the fixing eye (2) to a suitable ceiling suspension (chain, wire rope, rod) with safety hooks. The distance between the luminaire and the ceiling should be at least 15cm for optimal heat dissipation.

IMPORTANT! Check the function of the luminaire for at least 15 minutes before completing the installation work and dismantling lifting platforms, scaffolding or similar. Transport or installation damage as well as so-called runaways can never be completely ruled out despite the greatest care or extensive test series.

LED high bay light

AML® HBB series



Connection to mains power

IMPORTANT! The luminaire may only be commissioned by a qualified electrician in compliance with the country-specific installation regulations and connection conditions.

The mains supply line (1) consists of a 2-core cable:
L = phase | N = neutral

The connection to the sheathed cable must be made in a fixed junction box (e.g. on the roof beams).

For an extension of the mains cable we recommend insulated butt connectors (e.g. Klauke Art. 680) as well as a sheathing of the connection point with heat shrink tubing.

The mains cable can be attached to the ceiling suspension with cable ties.