



LED high bay luminaires

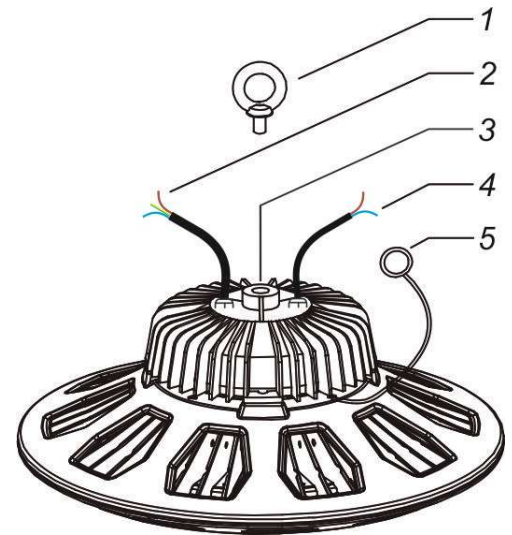
AML® GE Series

Unit description/Scope of delivery

- (1) Screw eyelet (included in delivery)
- (2) Mains cable
- (3) Internal thread for single-point mounting
- (4) Control line for dimming (D model only)
- (5) Safety rope (included)

Safety instructions

- August Müller Lichttechnik AG accepts no liability for damage or consequential damage caused by failure to observe these instructions or by improper assembly, installation or handling of the luminaire.
- Disconnect the power supply before working on the lamp.
- The installation of this luminaire involves work on the mains voltage; it must therefore be carried out professionally in accordance with the country-specific installation regulations and connection conditions.
- Do not look into the luminaire from a short distance or for a longer period of time (> 5 min.). This may cause damage to the retina.



Care and cleaning

- The luminaire should be subjected to rough cleaning at least once a year to ensure proper cooling. The luminaire has an automatic temperature cut-off to prevent overheating, e.g. if the heat sink is heavily soiled. At the latest then, cleaning is urgently required.
- Any dirt, dust or bird droppings that are lying on or sticking to the unit must be removed by brushing, vacuuming or blowing off. The light exit opening can be cleaned with a slightly damp cloth (without detergent).

Warranty

August Müller Lichttechnik AG guarantees perfect condition and function. The warranty period is 5 years and begins on the day of sale. We will remedy defects based on material or manufacturing faults. The warranty service is provided by repair or replacement of defective parts at our discretion. No warranty will be provided for damage caused by improper handling or use. The guarantee is only granted if the complete luminaire is sent to the appropriate service station, well packaged, with a brief description of the fault, receipt or invoice.

Assembly

- For ceiling mounting, first screw the screw eye (1) completely into the internal thread of the luminaire (2). Attach the screw eyelet to a suitable ceiling suspension (chain, wire rope, rod) with safety hooks. The distance between the luminaire and the ceiling should be at least 15cm for optimal heat dissipation.
- A wall bracket for wall mounting is optionally available.
- Attach the safety rope (5) directly to the ceiling suspension (ceiling mounting) or to the wall (wall mounting).

IMPORTANT! Check the function of the luminaire for at least 15 minutes before completing the installation work and dismantling lifting platforms, scaffolding or similar. Transport or installation damage as well as so-called runaways can never be completely ruled out despite the greatest care or extensive test series.



LED high bay luminaires

AML® GE Series

Connection to mains power

IMPORTANT! The luminaire may only be commissioned by a qualified electrician in compliance with the country-specific installation regulations and connection conditions.

The mains supply line (2) consists of a 3-core cable:

L = phase (brown) | N = neutral conductor (blue) | PE = protective conductor (green/yellow)

- The connection to the sheathed cable must be made in a fixed junction box (e.g. on the roof beams).
- For an extension of the mains cable we recommend insulated butt connectors (e.g. Klauke Art. 680) with a sheathing of the connection point with heat shrink tubing or a plug-in connection (e.g. Wieland Gesis RST 20i3).
- The mains cable can be attached to the ceiling suspension with cable ties.

Dimming (D model only)

The brightness of the luminaire can be controlled by a 1 - 10 V DC control voltage, a 10V PWM signal or by resistor at the DIM+ and DIM- (4) connections. We recommend using the 1 - 10 V DC control voltage in conjunction with a rotary potentiometer for top-hat rail mounting (e.g. Busch-Jäger 2112-101) or flush mounting (e.g. Berker push-button rotary potentiometer), control dimmer switch with push-button (e.g. Eltako SDS12/1-10V), radio actuator (e.g. Eltako FSG71/1-10V) and/or control unit with presence and brightness sensor (e.g. Osram Dim Multi 3).

The control line (4) consists of a 2-core cable:

DIM+ (brown) | DIM- (blue)

- For connection and extension of the control cable, see Connection to mains power. Lay out the connection cables for the control inputs so that they are mains voltage-proof.
- Remove the protective cap from the control line only if dimming is desired.

Control voltage (1 - 10 V DV) |

10 V PWM signal (frequency 100Hz - 3 KHz) |

Resistance

